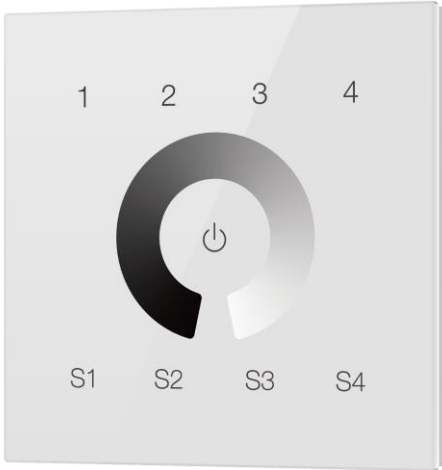


DATA SHEET

DALI Single Color Touch Controller

Item number

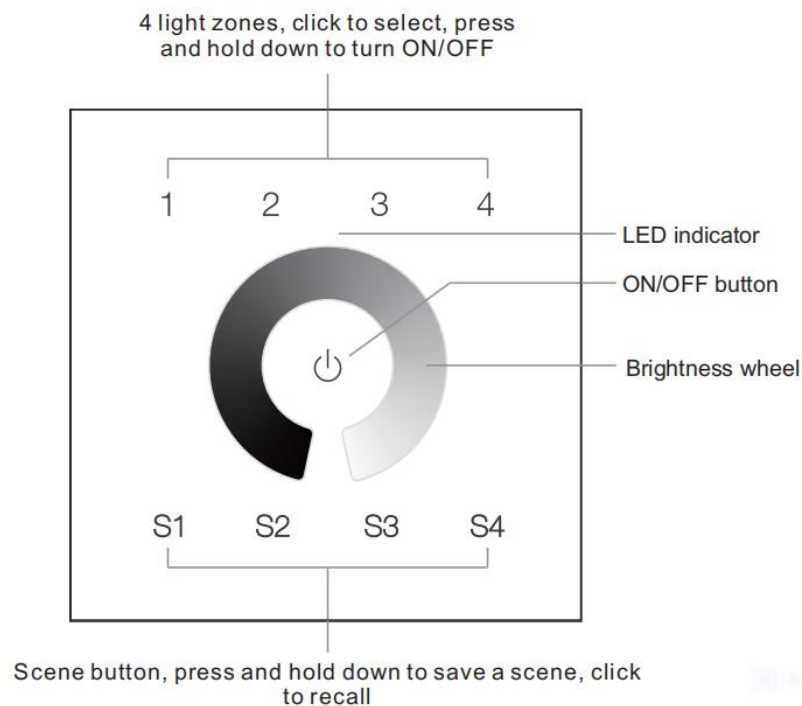
CT-DL-1006



- Touch sensitive.
- Glass interface (white & black).
- Comply to DALI standard protocol IEC 62386-102, IEC 62386-207 and in compliance with DALI products from other international incorporation.
- 4 light zones are available for switch and dimming control, each zone can control 1 DALI address.
- Enable to set start DALI address number (0-63) to be controlled by the 4 zones by rotary switches on the back.
- Enable to save 4 scenes.



Function Introduction



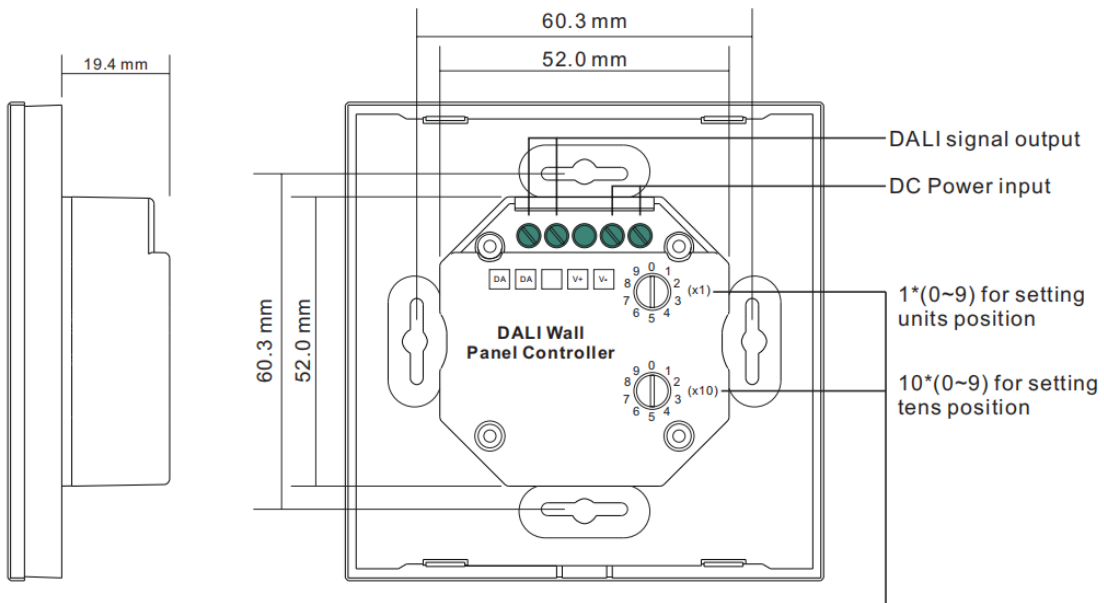
Front side

DATA SHEET

DALI Single Color Touch Controller

Item number

CT-DL-1006



Rotary switches for setting start DALI address number (0-63), the number equals to tens position plus units position

Technical data

GENERAL

Power supply	12-24VDC
Output	DALI signal
Power consumption	<20 mA
DALI consumption	4 mA
Operating temperature	0-40°C
Relative humidity	8% to 80%
Dimensions	86x86x29.1mm

Safety & Warnings

- DO NOT install with power applied to device.
- DO NOT expose the device to moisture.

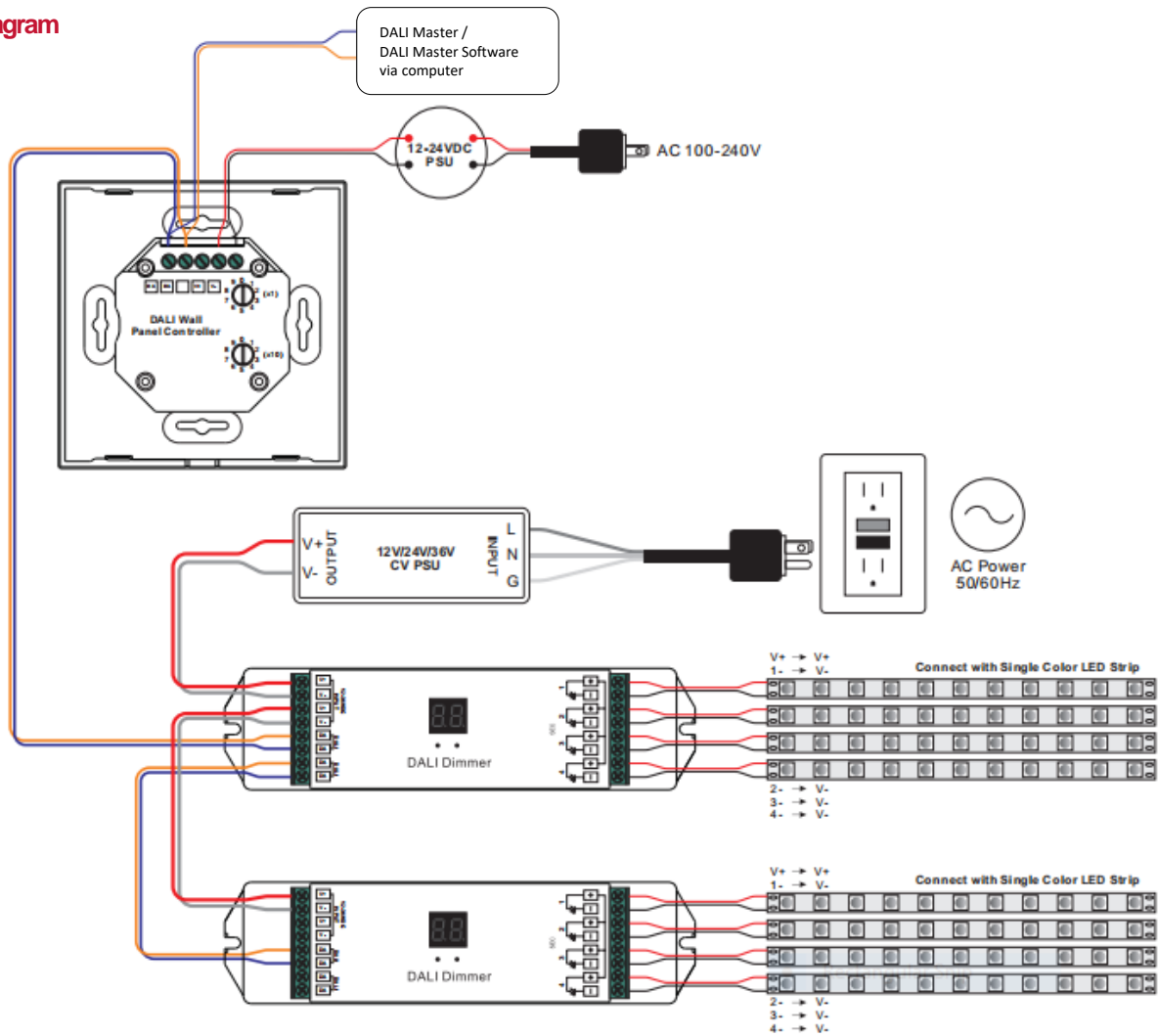
DATA SHEET

DALI Single Color Touch Controller

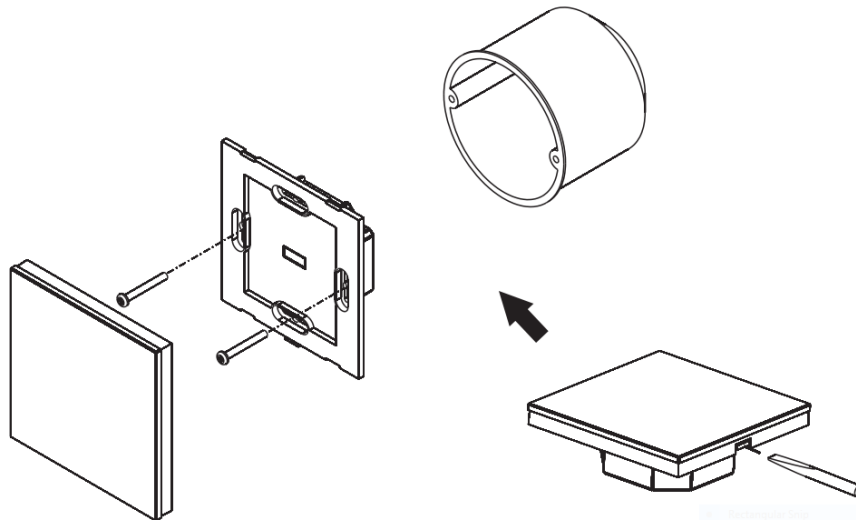
Item number

CT-DL-1006

Wiring Diagram



INSTALLATION



DATA SHEET**DALI Single Color Touch Controller****Item number**

CT-DL-1006

Operation

Set start DALI address number to be controlled by 4 zones by rotary switches on the back, each zone controls 1 DALI address:

Set the number as X (0-63):

Zone number 1 will control DALI address X,

Zone number 2 will control DALI address X+1,

Zone number 3 will control DALI address X+2,

Zone number 4 will control DALI address X+3,

Note: if X is set as 63, zone 1 will control DALI address 63, zone 2 will control address 00, zone 3 will control address 01, zone 4 will control address 02.